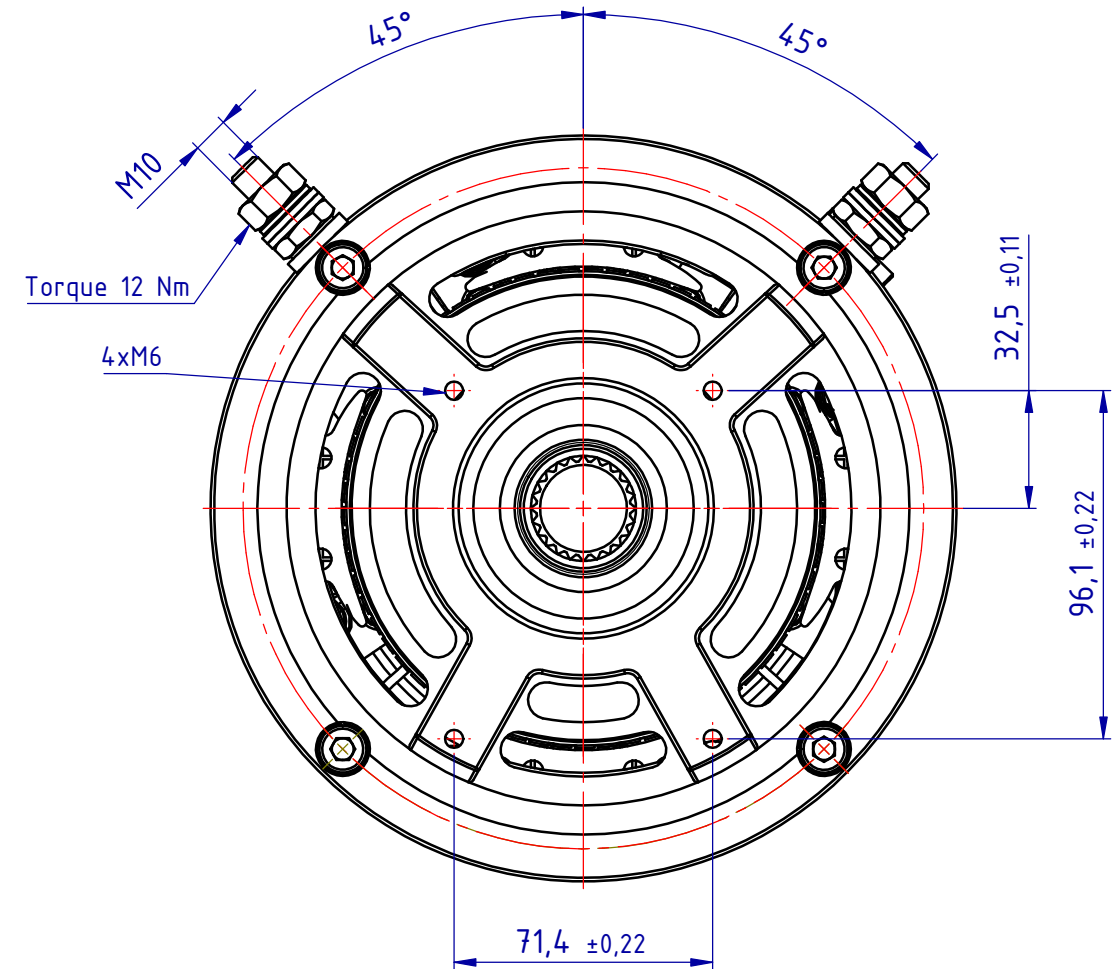
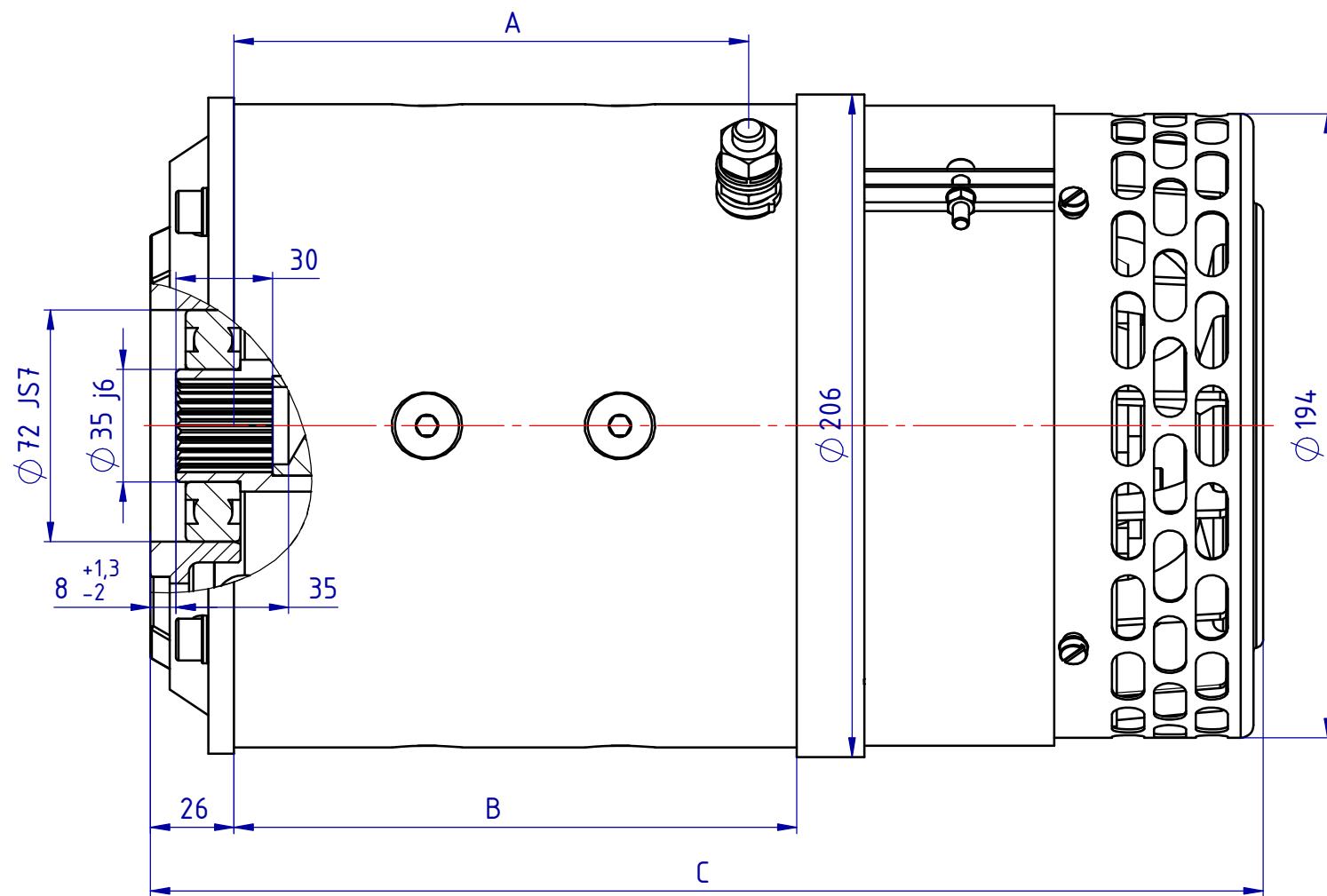


DCM 6,5/4,8/28   DCM 6,5/8/28   DCM 10/4,8/28   DCM 10/8/28 (Balkancar)

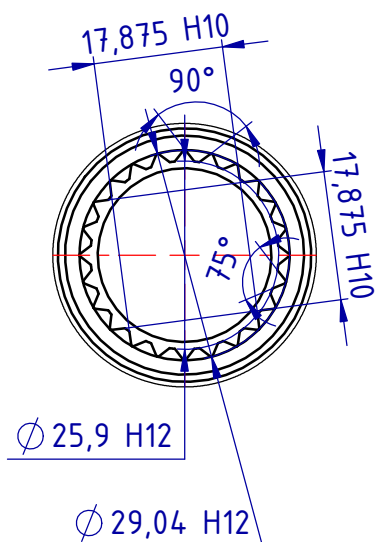
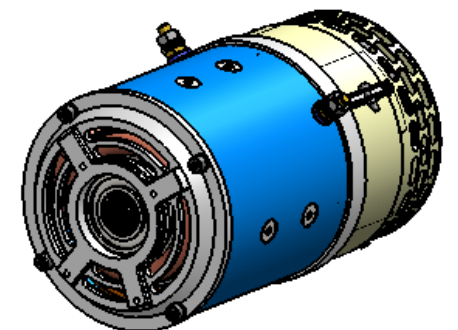
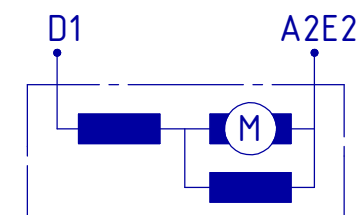


Technical Data

	<u>DCM 6,5/4,8/28</u> Id.Nº 50493	<u>DCM 6,5/8/28</u> Id.Nº 14982	<u>DCM 10/4,8/28</u> Id.Nº 50108	<u>DCM 10/8/28</u> Id.Nº 50494	
--	--------------------------------------	------------------------------------	-------------------------------------	-----------------------------------	--

Rated power	6,5	6,5	10	10	kW
Rated voltage	48	80	48	80	V DC
Rated r.p.m.	2800	2800	2800	2800	r.p.m.
Rated torque	22	22	34	34	N.m
Rated current	188	105	273	163	A
Duty cycle	S2=15 min. S3=30%	S2=15 min. S3=30%	S2=15 min. S3=30%	S2=15 min. S3=30%	
Protection	IP 21	IP 21	IP 21	IP 21	
Insulation class	F	F	F	F	
Weight	39	37	44	42	kg
Excitation	Compound	Compound	Compound	Compound	
Dimensions					
A	170	160	170	160	mm
B	185	175	185	185	mm
C	356	346	356	356	mm

Connection diagram



JOINT-STOCK COMPANY  
**caproni**

HYDRAULIC COMPONENTS AND SYSTEMS

6100 Kazanlak, BULGARIA, 45, General Stoletov Str.  
E-mail: caproni@caproni.bg; WEB: <http://www.caproni.bg>