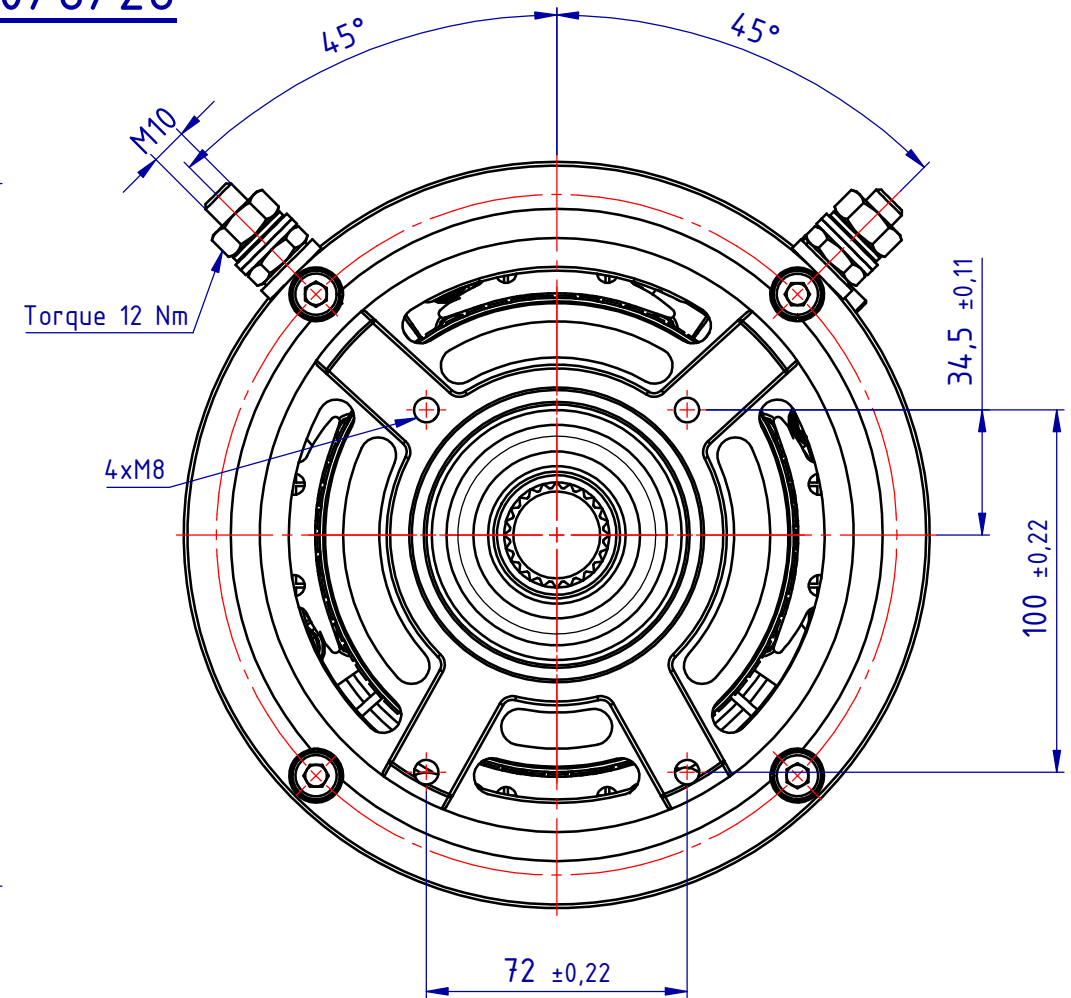
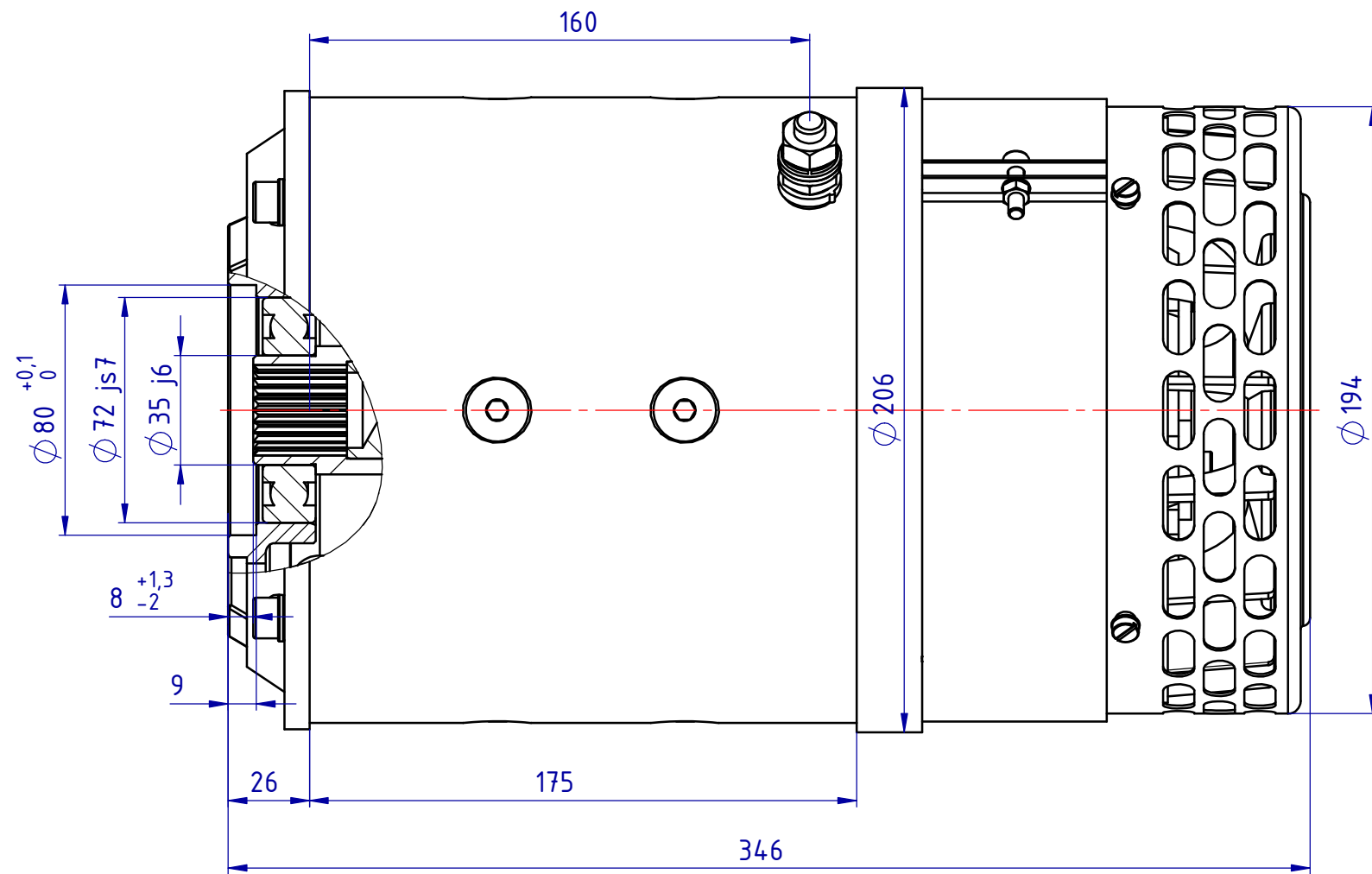


DCM 6,5/8/28

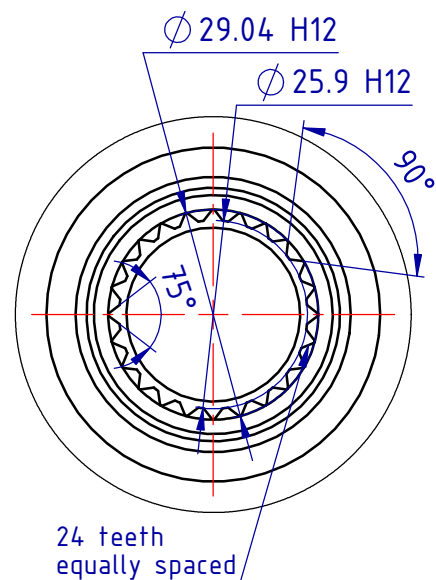
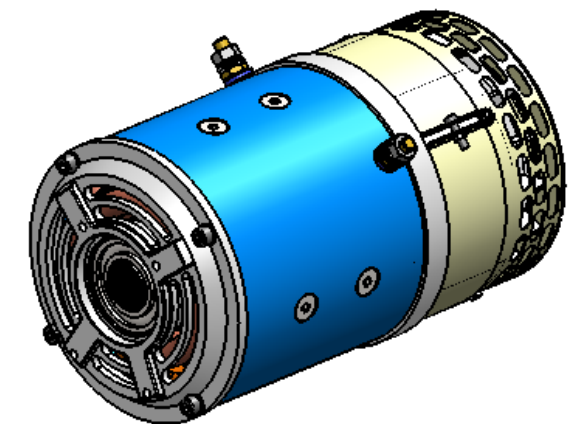
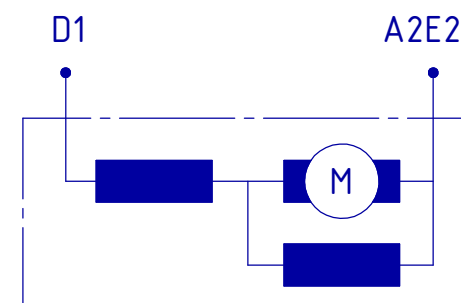
DCM 10/8/28



Technical Data

	DCM 6,5/8/28 Id.№R49875	DCM 10/8/28 Id.№49587	
Rated power	6,5	10	kW
Rated voltage	80	80	V DC
Rated r.p.m.	2800	2800	r.p.m.
Rated torque	22	34	N.m
Rated current	105	150	A
Duty cycle	S2=15 min. S3=30%	S2=15 min. S3=30%	
Protection	IP 21	IP 21	
Insulation class	F	F	
Weight	37	37	kg
Excitation	Compound	Compound	

Connection diagram



JOINT-STOCK COMPANY

caproni

HYDRAULIC COMPONENTS AND SYSTEMS

6100 Kazanlak, BULGARIA, 45, General Stoletov Str.

E-mail: caproni@caproni.bg; WEB: <http://www.caproni.bg>