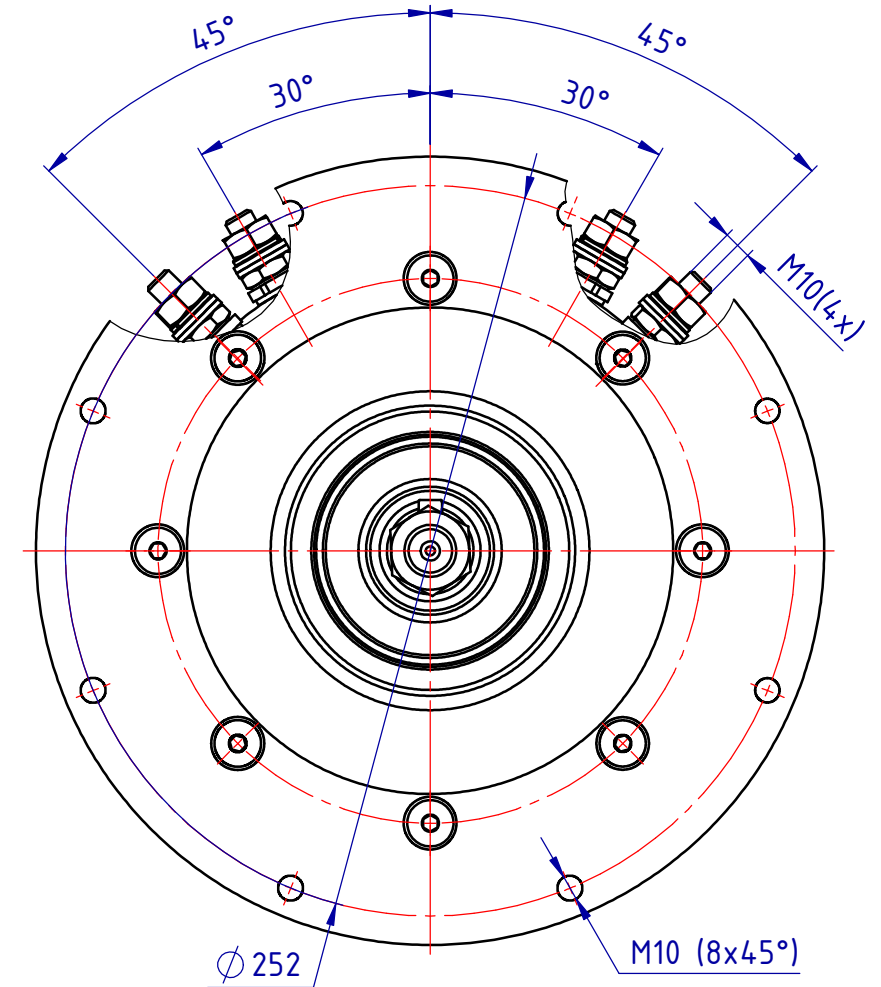
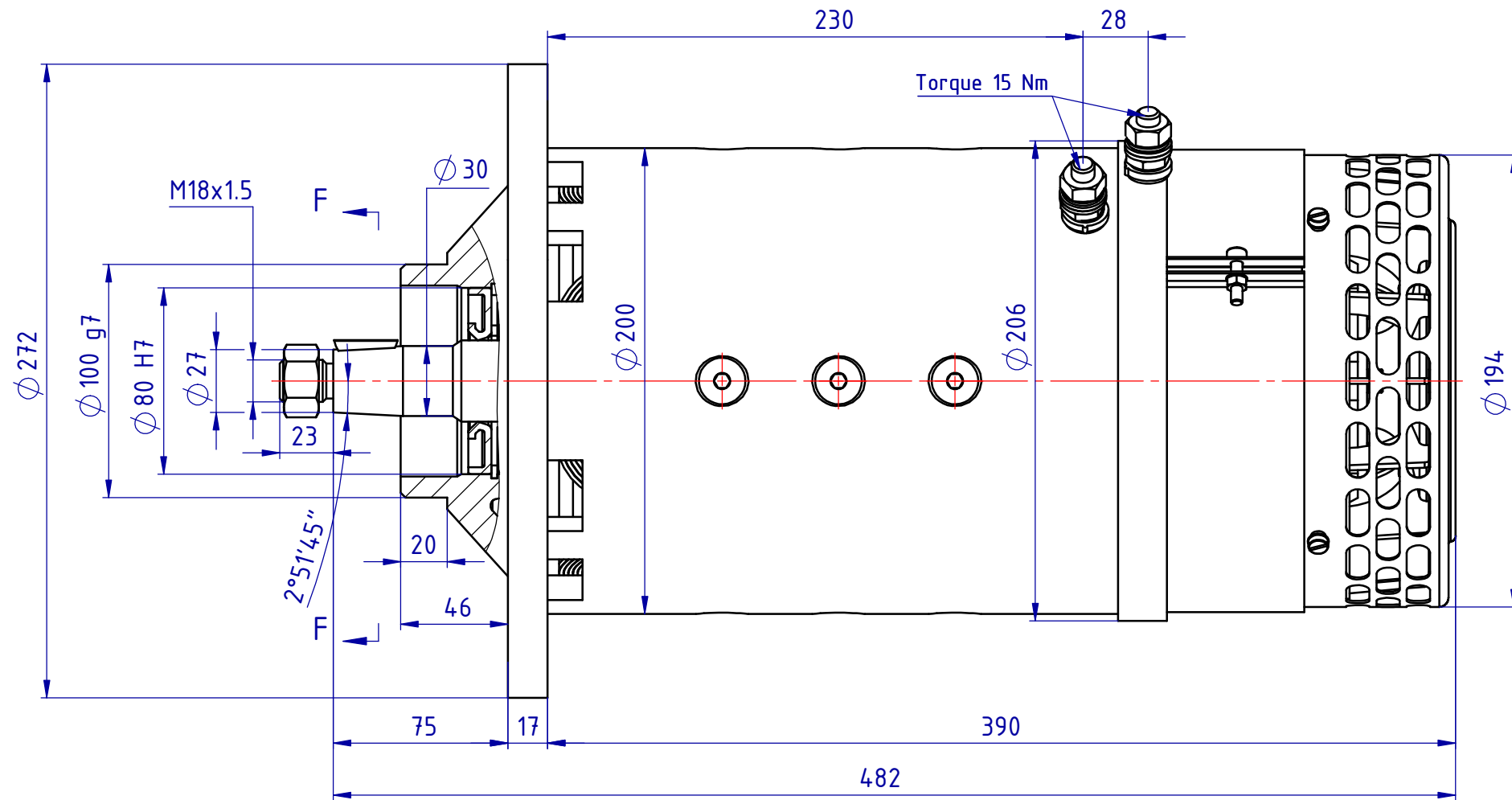


# DCM 6,3/8/18-252

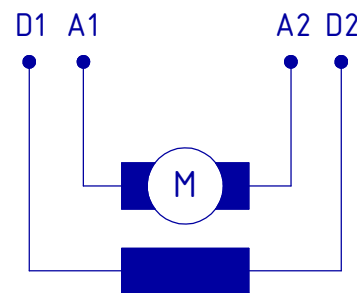


## Technical Data

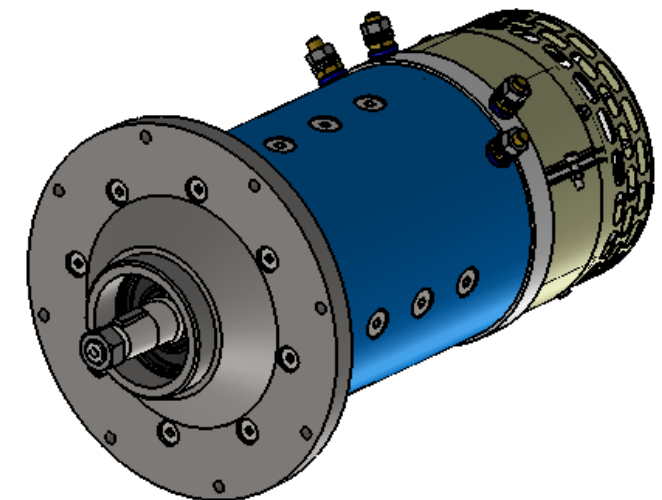
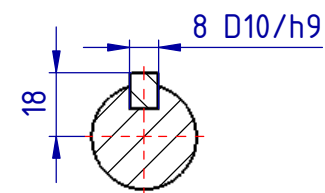
Id.№ 50495

Rated power	6,3	kW
Rated voltage	80	V DC
Rated r.p.m.	1800	r.p.m.
Rated torque	34	N.m
Rated current	98	A
Duty cycle	S2 = 60 min.	
Protection	IP 21	
Insulation class	F	
Weight	55	kg
Excitation	Series	

## Connection diagram



## F-F (1 : 2)



JOINT-STOCK COMPANY

**caproni**

HYDRAULIC COMPONENTS AND SYSTEMS

6100 Kazanlak, BULGARIA, 45, General Stoletov Str.

E-mail: caproni@caproni.bg; WEB: <http://www.caproni.bg>