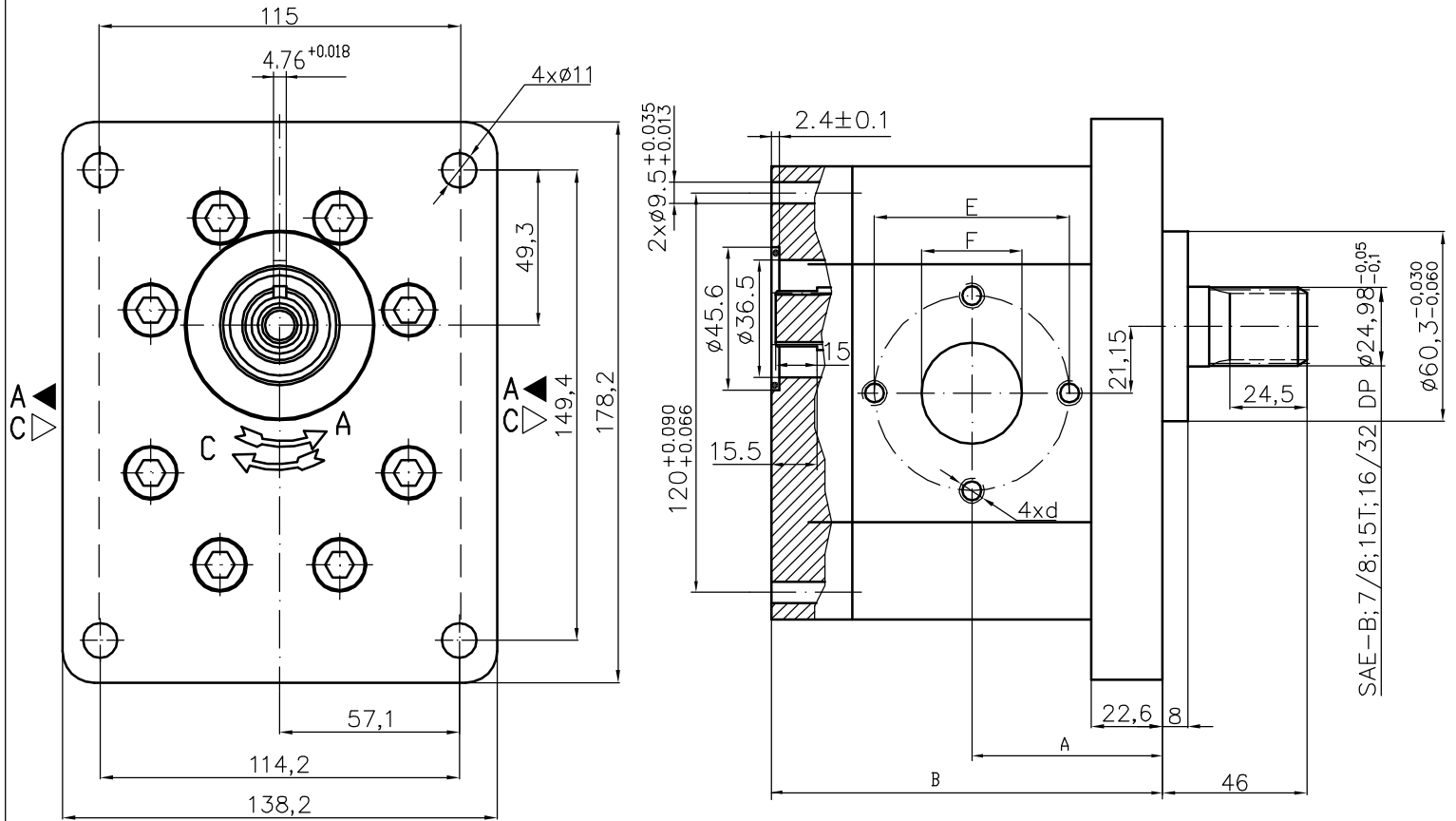


Designed as a first section of multiple gear pumps group 43.



Type	Displacement cm ³ /rev	Flow		Pressure P _{nom} bar	max Speed n rpm	Dimension							
		at 1500 rpm l/min	at max rpm l/min			Inlet			Outlet				
						A mm	B mm	E mm	d mm	F mm	E mm	d mm	F mm
40A(C)36X473H	36	51,3	95,8	250	2800	68,0	138,5	62					
40A(C)42X473H	42	59,9	99,8	230	2500	70,8	144,0	3/8"-16UNC-2B	32	51	3/8"-16UNC-2B	27	
40A(C)46X473H	46	65,6	100,5	230	2300	72,7	147,8						
40A(C)50X473H	50	71,3	99,8	200	2100	74,5	151,4						
40A(C)55X473H	55	78,4	91,4	200	1750	76,7	155,9						
40A(C)60X473H	60	85,5	99,8	180	1750	78,7	160,4						