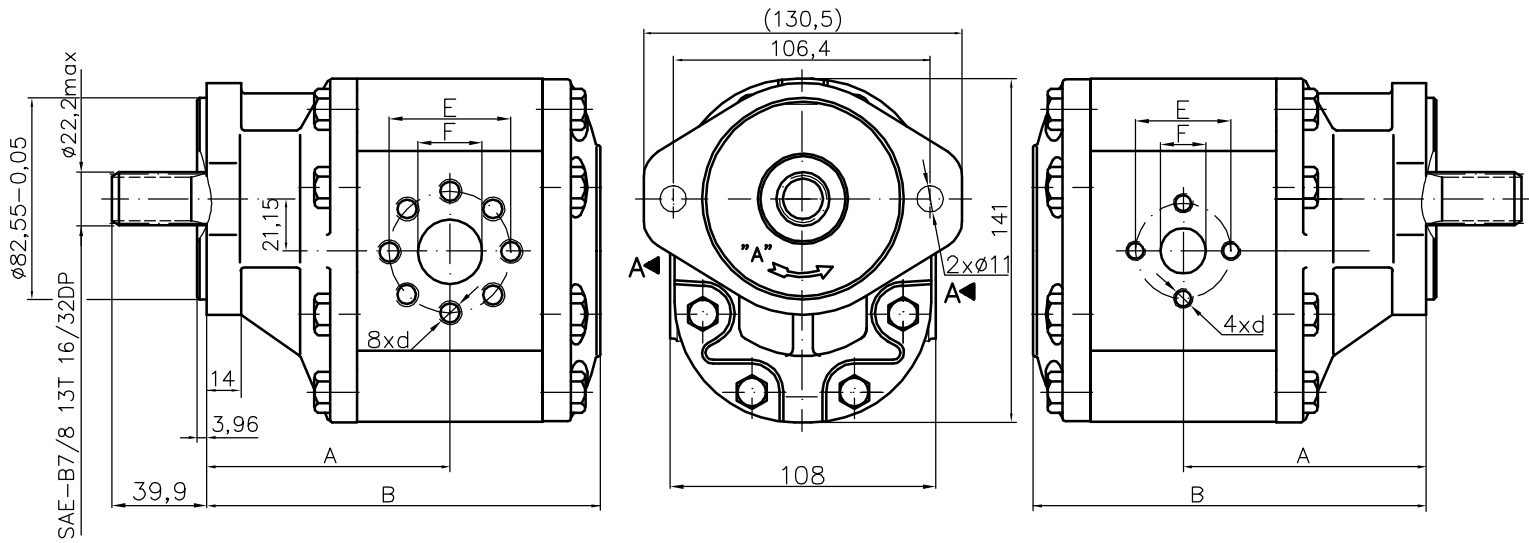
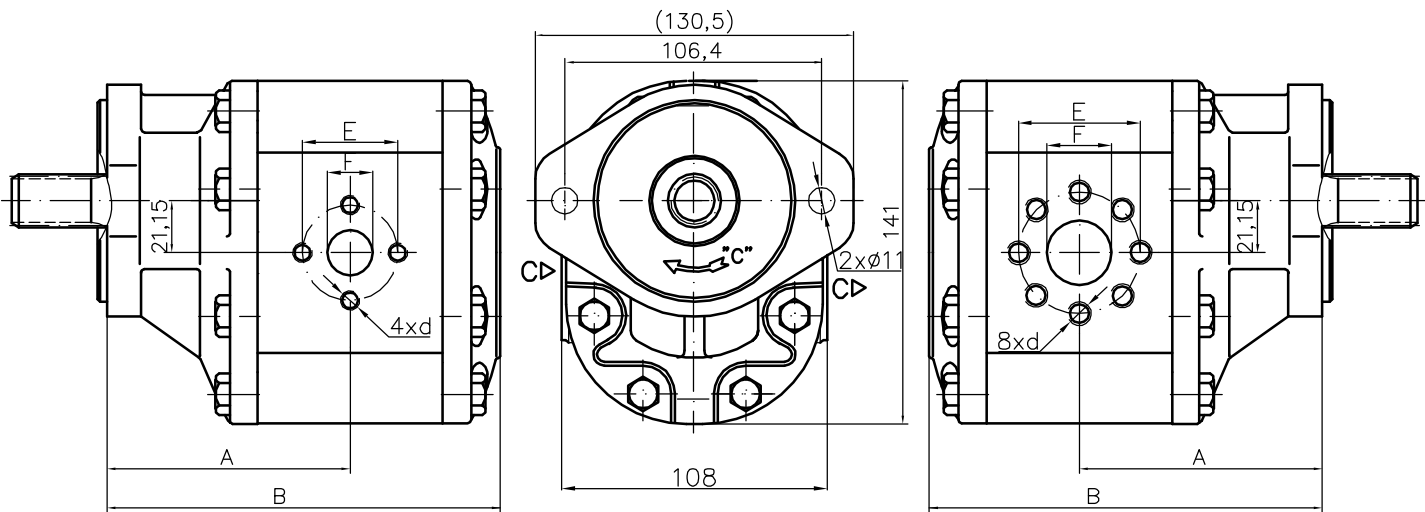


Rotation "A"



Rotation "C"



Type	Displacement cm <sup>3</sup> /rev	Flow		Pressure P <sub>nom</sub> bar	max Speed n rpm	Dimension							
		at 1500 rpm l/min	at max rpm l/min			A mm	B mm	Inlet			Outlet		
								E	d	F	E	d	F
30A(C)32X415	32	45,1	90,2	200	3000	101,0	163,8				40	M8	19
								51	M10	27			