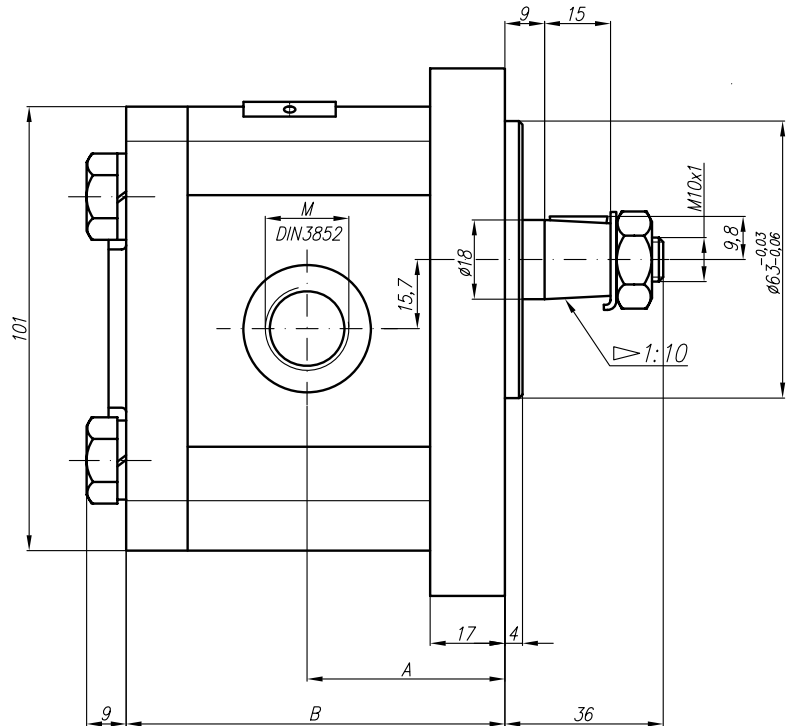
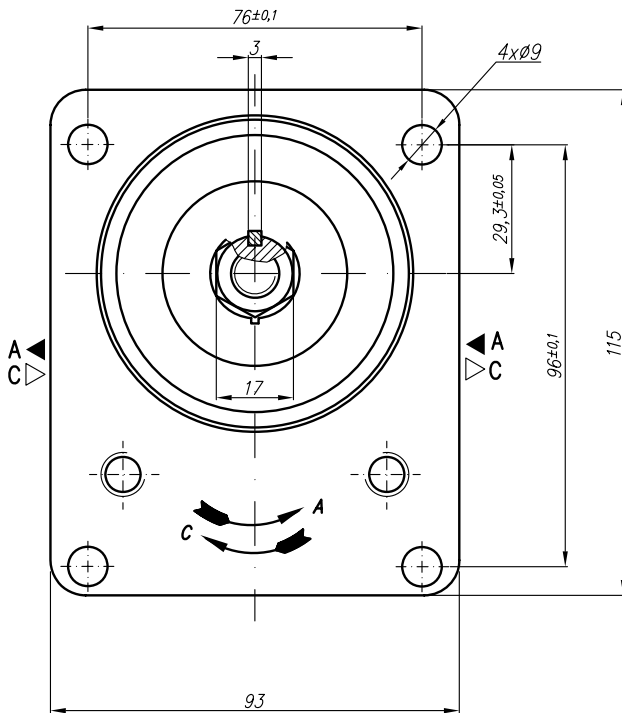
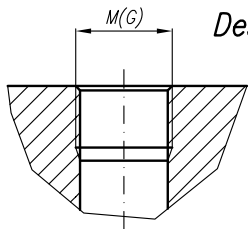


& 20A(C)...X145... – with standard threads M;G (see below)

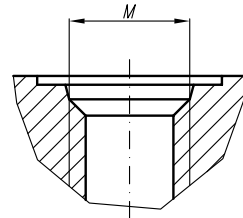


Possible variants with standard threads—M;G

Normal version ports – M (DIN 3852)  
(with "O"-ring)



Designation 20A(C)...X145...



Type	Displacement cm <sup>3</sup> /rev	Flow		Pressure P <sub>nom</sub> bar	max Speed n rpm	Dimension							
		at 1500 rpm l/min	at max rpm l/min			A mm	B mm	Inlet			Outlet		
								M	G	U	M	G	U
20A(C)4,5X306	4,5	6,14	14,33	250	3500	42,5	80	M18x1,5	G1/2		M14x1,5		
20A(C)6,3X306	6,3	8,69	20,29	250	3500	42,5	80	M18x1,5	G1/2		M14x1,5		
20A(C)8,2X306	8,2	11,32	26,40	250	3500	42,5	80	M18x1,5	G1/2		M14x1,5		
20A(C)10X306	10	13,95	32,55	250	3500	47	89	M22x1,5	G1/2		M18x1,5		
20A(C)11X306	11,3	15,76	36,78	250	3500	48,6	91,1	M22x1,5	G1/2		M18x1,5		
20A(C)12X306	12	16,92	39,48	250	3500	49	92,3	M22x1,5	G1/2		M18x1,5		
20A(C)14X306	14	19,95	46,55	250	3500	49	95,4	M27x2	G3/4		M18x1,5		G1/2
20A(C)15X306	15	21,60	36,00	250	2500	49,5	96,9	M27x2	G3/4		M18x1,5		G1/2
20A(C)16X306	16	23,04	38,40	250	2500	52	98,6	M27x2	G3/4		M18x1,5		G1/2
20A(C)19X306	19	27,36	45,60	200	2500	53	103,5	M27x2	G3/4		M18x1,5		G1/2
20A(C)22X306	22	31,68	42,24	180	2000	57	108,5	M27x2	G3/4		M18x1,5		G1/2
20A(C)25X306	25	36,00	48,00	160	2000	59,2	113,4	M27x2	G3/4		M18x1,5		G1/2