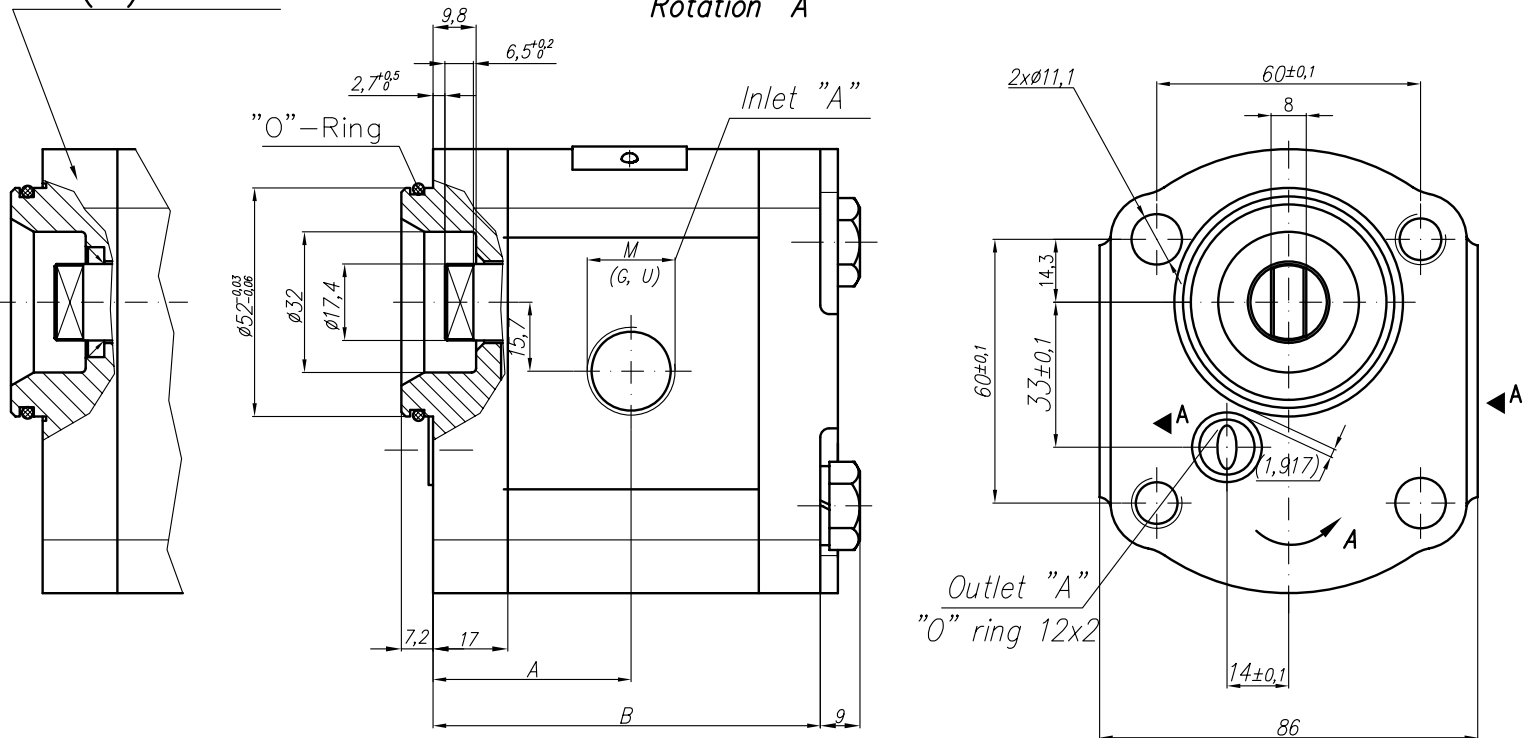
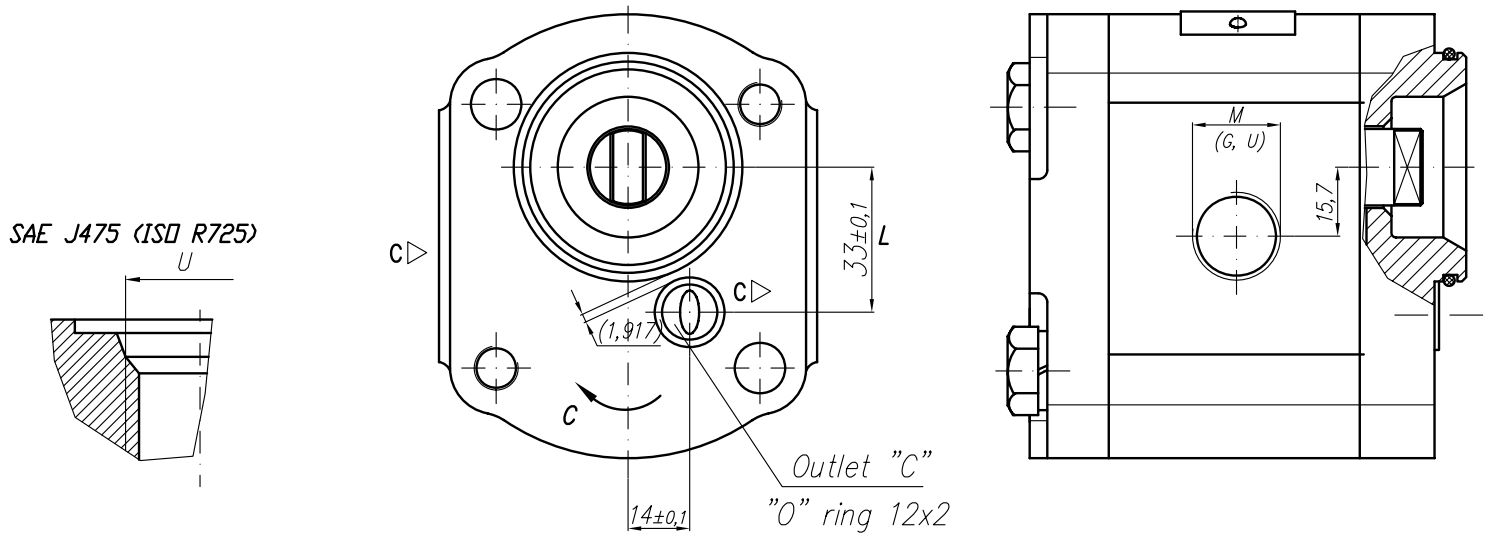


Variant with *simmerring* in front cover designation:

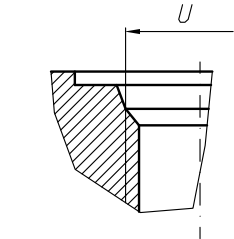
**20A(C)...X567...AS**



Rotation "C"



SAE J475 (ISO R725)



Type	Displacement cm <sup>3</sup> /rev	Flow		Pressure P <sub>nom</sub> bar	max Speed n rpm	Dimension							
		at 1500 rpm l/min	at max rpm l/min			A mm	B mm	Inlet				Outlet	
						M	M1	G	U				
20A(C)4,5X567...	4,5	6,14	14,33	250	3500	40,5	78						
20A(C)6,3X567...	6,3	8,69	20,29	250	3500	42	81						
20A(C)8,2X567...	8,2	11,32	26,40	250	3500	43,5	83,9						
20A(C)10X567...	10	13,95	32,55	250	3500	45	87						
20A(C)11X567...	11,3	15,76	36,78	250	3500	46	89,1						
20A(C)12X567...	12	16,92	39,48	250	3500	46,6	90,3						
20A(C)14X567...	14	19,95	46,55	250	3500	48	93,4						
20A(C)15X567...	15	21,60	36,00	250	2500	49	95						
20A(C)16X567...	16	23,04	38,40	250	2500	50	96,6						
20A(C)19X567...	19	27,36	45,60	200	2500	52	101,5						
20A(C)22X567...	22	31,68	42,24	180	2000	55	106,5						
20A(C)25X567...	25	36,00	48,00	160	2000	57,2	112,1						