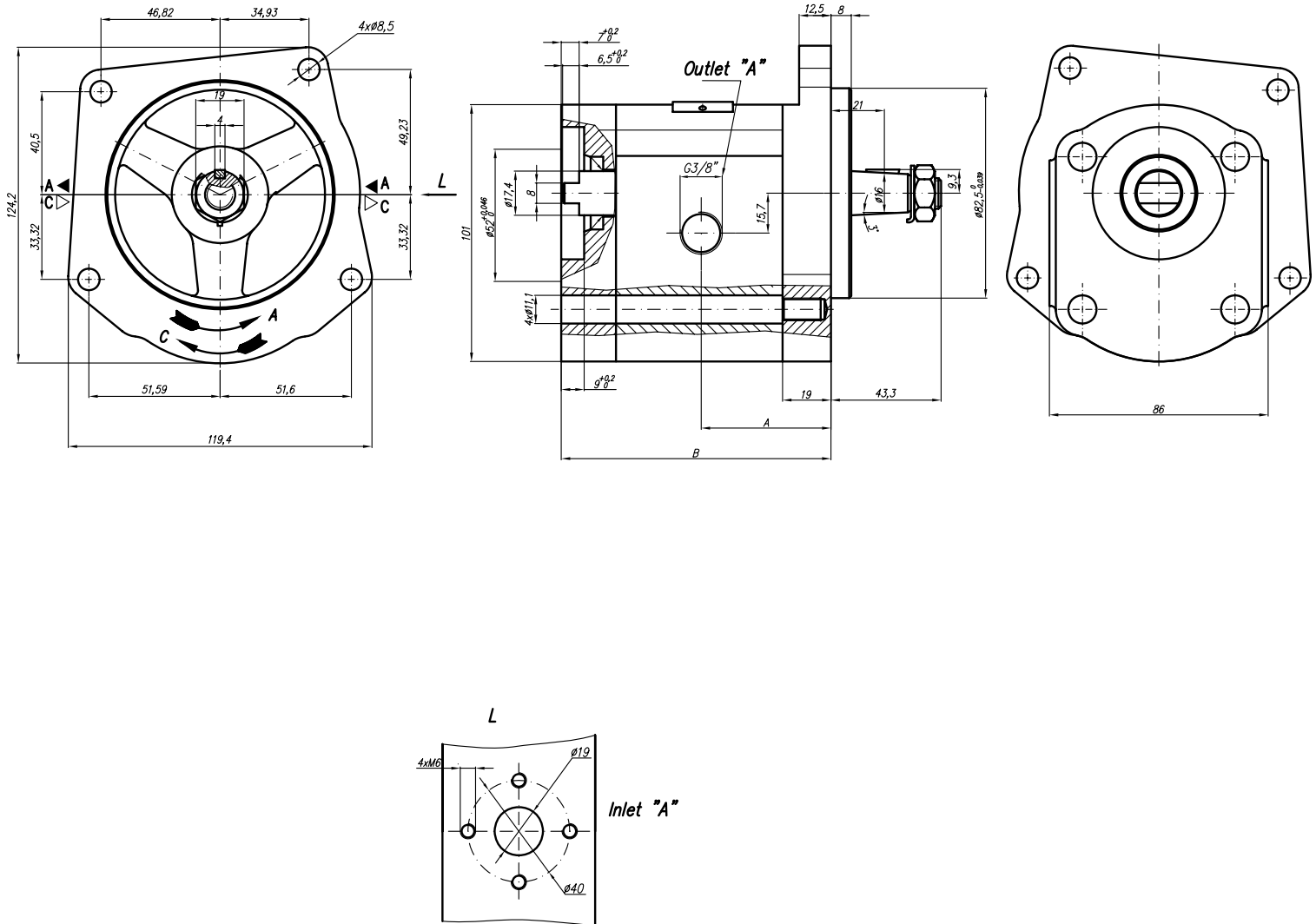


Designed as a special version – 1 section of tandem pump 22A(C)...X450/...X451.



\* These pressures recommended for direct drive with gear.

Type	Displacement cm <sup>3</sup> /rev	Flow		Pressure P <sub>nom</sub> bar	max Speed n rpm	Dimension							
		at 1500 rpm l/min	at max rpm l/min			A mm	B mm	Inlet			Outlet		
								E	F	d	M	G	U
20A(C)15X450	15	21,60	36,00	250(175*)	2500	51	104,1	40	19	M6-6H		G3/8	
20A(C)16X450	16	23,04	38,40	250(175*)	2500	51	105,7						
20A(C)25X450	25	36,00	48,00	160(100*)	2000	59,2	120,6						