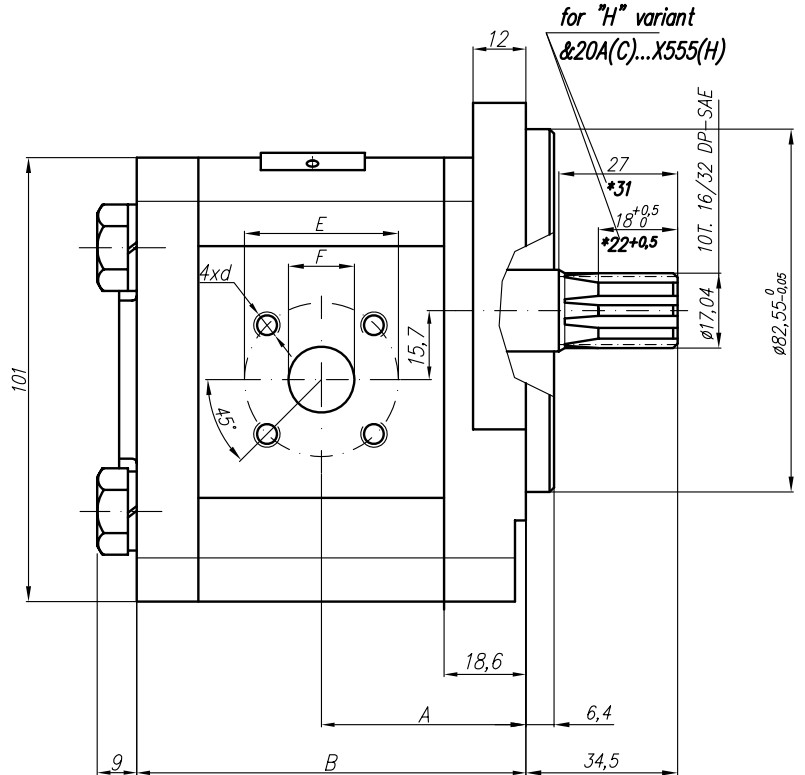
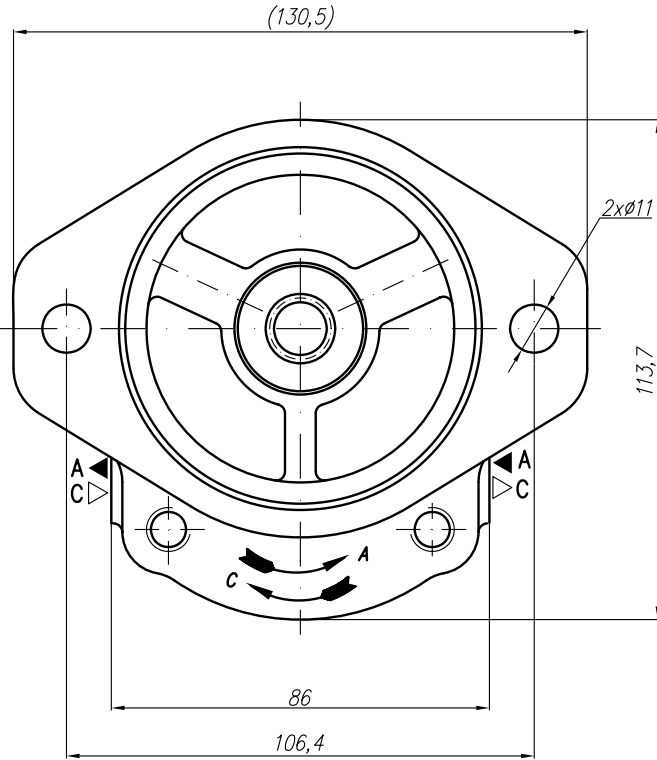


* 20A(C)...X555(H) – variant with spline lengths 22mm and 31mm.



| Type | Displacement cm ³ /rev | Flow | | Pressure P _{nom} bar | max Speed n rpm | Dimension | | | | | | | | | | | | |
|----------------|--------------------------------------|----------------------|---------------------|-------------------------------------|-----------------------|-----------|-------|--------|----|----|-------|----|-------|----|----|-------|----|-------|
| | | at 1500 rpm l/min | at max rpm l/min | | | Inlet | | Outlet | | E | F | d | | | | | | |
| 20A(C)4,5X355 | 4,5 | 6,14 | 14,33 | 250 | 3500 | 42 | 79,6 | 40 | 15 | | | | M6-6H | 35 | 15 | M6-6H | | |
| 20A(C)6,3X355 | 6,3 | 8,69 | 20,29 | 250 | 3500 | 43,6 | 82,6 | | | | | | | | | | | |
| 20A(C)8,2X355 | 8,2 | 11,32 | 26,40 | 250 | 3500 | 45 | 85,6 | | | | | | | | | | | |
| 20A(C)10X355 | 10 | 13,95 | 32,55 | 250 | 3500 | 46,6 | 88,7 | | | | | | | | | | | |
| 20A(C)11X355 | 11,3 | 15,76 | 36,78 | 250 | 3500 | 47,6 | 90,7 | | | | | | | | | | | |
| 20A(C)12X355 | 12 | 16,92 | 39,48 | 250 | 3500 | 48,2 | 91,9 | | | | | | | | | | | |
| 20A(C)14X355 | 14 | 19,95 | 46,55 | 250 | 3500 | 49,6 | 95 | | | | | | | | | | | |
| 20A(C)15X355 | 15 | 21,60 | 36,00 | 250 | 2500 | 50,6 | 96,5 | | | | | | | | | | | |
| 20A(C)16X355 | 16 | 23,04 | 38,40 | 250 | 2500 | 51,6 | 98,2 | | | | | | | | | | | |
| 20A(C)19X355 | 19 | 27,36 | 45,60 | 200 | 2500 | 53,6 | 103,1 | | | | | | | | | | | |
| 20A(C)22X355 | 22 | 31,68 | 42,24 | 180 | 2000 | 56,6 | 108,1 | | | | | | | | | | | |
| 20A(C)25X355 | 25 | 36,00 | 48,00 | 160 | 2000 | 58,8 | 113 | | | | | | | | | | | |
| 20A(C)14X355H | 14 | 20,16 | 47,04 | 250 | 3500 | 54,6 | 105,3 | | 40 | 20 | M6-6H | 35 | | | | | 15 | M6-6H |
| 20A(C)4,5X355H | 15 | 21,60 | 43,20 | 250 | 3000 | 55,6 | 106,8 | | | | | | | | | | | |
| 20A(C)6,3X355H | 16 | 23,04 | 46,08 | 250 | 3000 | 56,6 | 108,4 | | | | | | | | | | | |
| 20A(C)8,2X355H | 17,3 | 24,91 | 49,82 | 230 | 3000 | 57,6 | 110,5 | | | | | | | | | | | |
| 20A(C)10X355H | 18,2 | 26,21 | 52,42 | 210 | 3000 | 58,4 | 112,1 | | | | | | | | | | | |
| 20A(C)11X355H | 19 | 27,36 | 54,72 | 200 | 3000 | 59 | 113,4 | | | | | | | | | | | |
| 20A(C)12X355H | 22 | 31,68 | 52,80 | 180 | 2500 | 61,5 | 118,4 | | | | | | | | | | | |
| 20A(C)14X355H | 25 | 36,00 | 60,00 | 160 | 2500 | 63,9 | 123,3 | | | | | | | | | | | |
| 20A(C)15X355H | 28 | 40,32 | 67,20 | 130 | 2500 | 66,4 | 128,1 | | | | | | | | | | | |
| 20A(C)16X355H | 32 | 46,08 | 61,44 | 120 | 2000 | 69,6 | 134,4 | | | | | | | | | | | |
| 20A(C)19X355H | 36 | 51,84 | 69,12 | 100 | 2000 | 72,8 | 141 | | | | | | | | | | | |